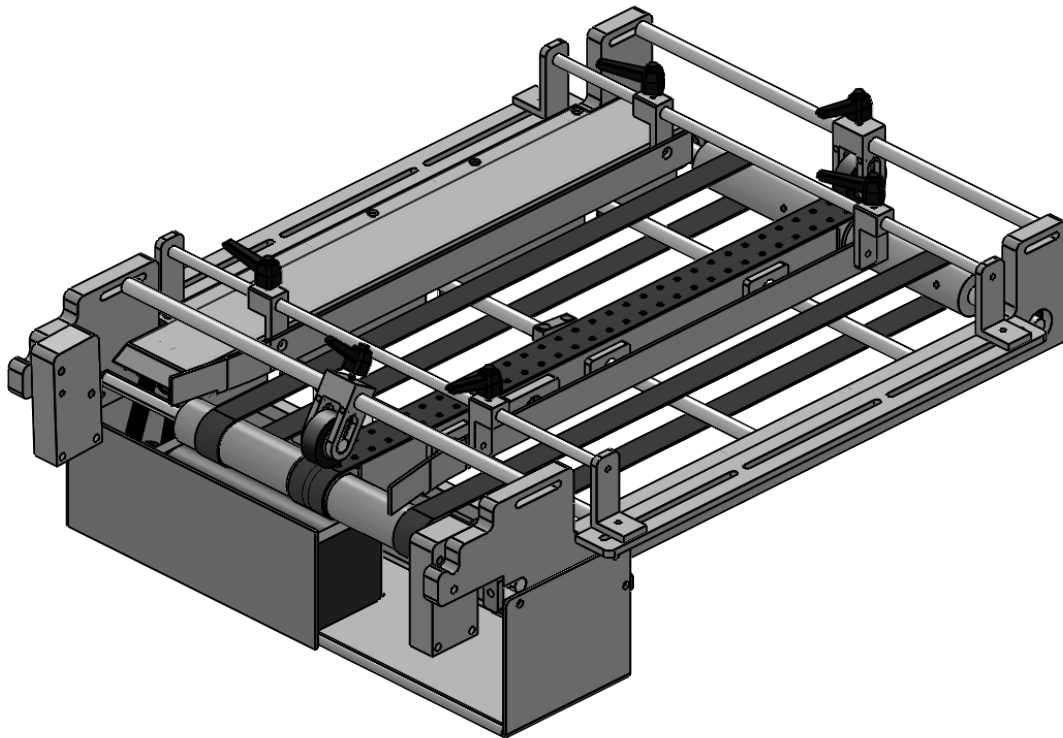


) \$\$\$, &  
: J H&("



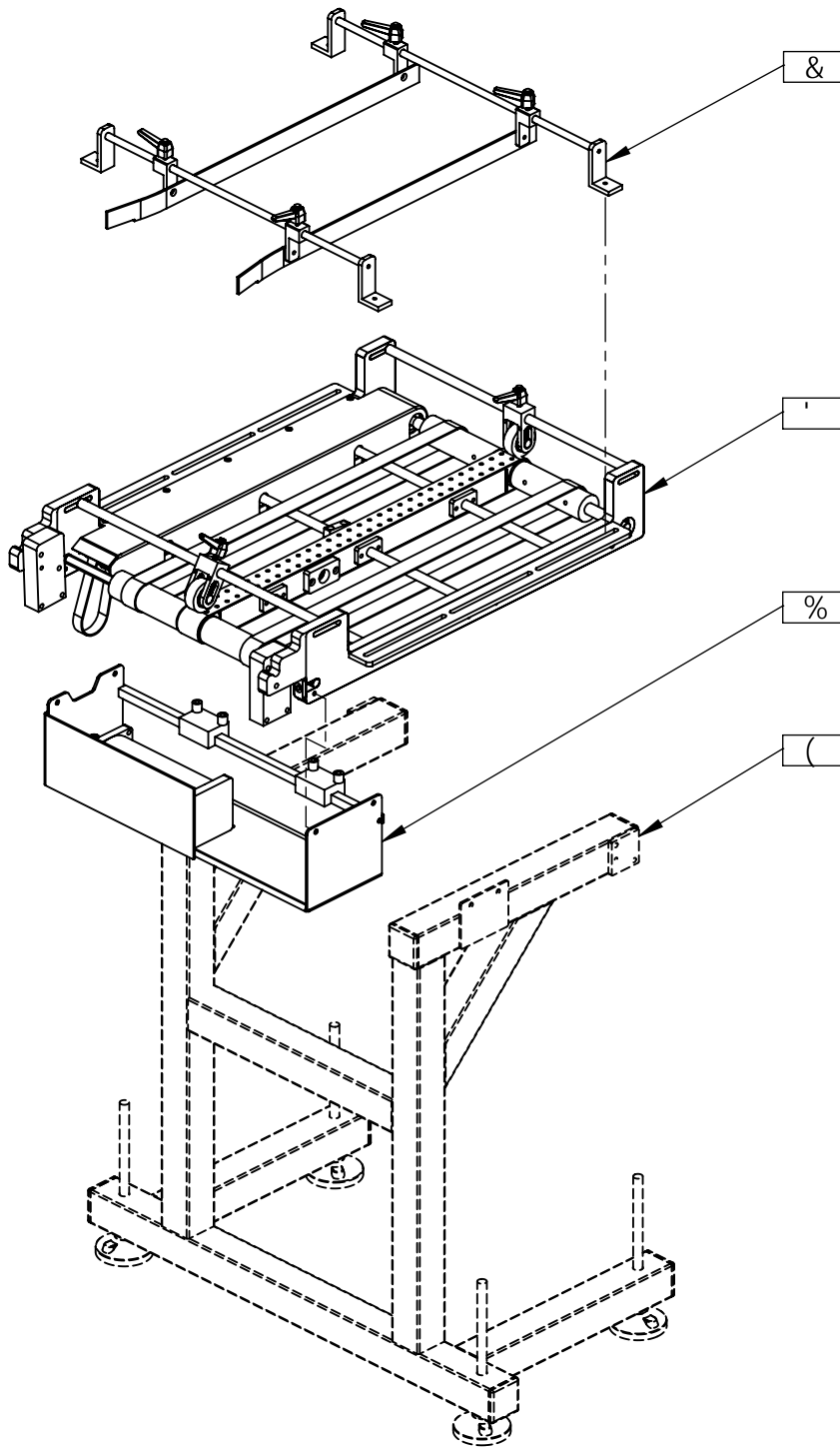
6

*Superior*

PAPER HANDLING SOLUTIONS

DFC DF-915 FM5B8 7CB: 89BH5@

H: 9-B: CFA 5HC B 7 CBI5-B98-B 1K-G  
8F5K-B: 1GH: 9GC @DFC D9FHC:  
Q D9F C F D5D9F <5B8@B: GC @ HC BG" 5BM  
F9DFC B1 7 HC B-B D5FHC F 5G5 K <C @  
K #K: C I HH: 9K F #H8 D9FA GGC B C:  
Q D9F C F D5D9F <5B8@B: GC @ HC BG-G  
DFC < 6#H8"



#PA BC "	DUftBc	DESCRIPTION	E HM
%	(\$\$ *\$	MOTOR ASSEMBLY	%
&	(\$\$ *(	SIDE GUIDE KIT	%
'	(\$\$ *)	CARRIAGE ASSEMBLY (24")	%
(	(\$\$ (%	STAND ASSEMBLY (OPTION)	%

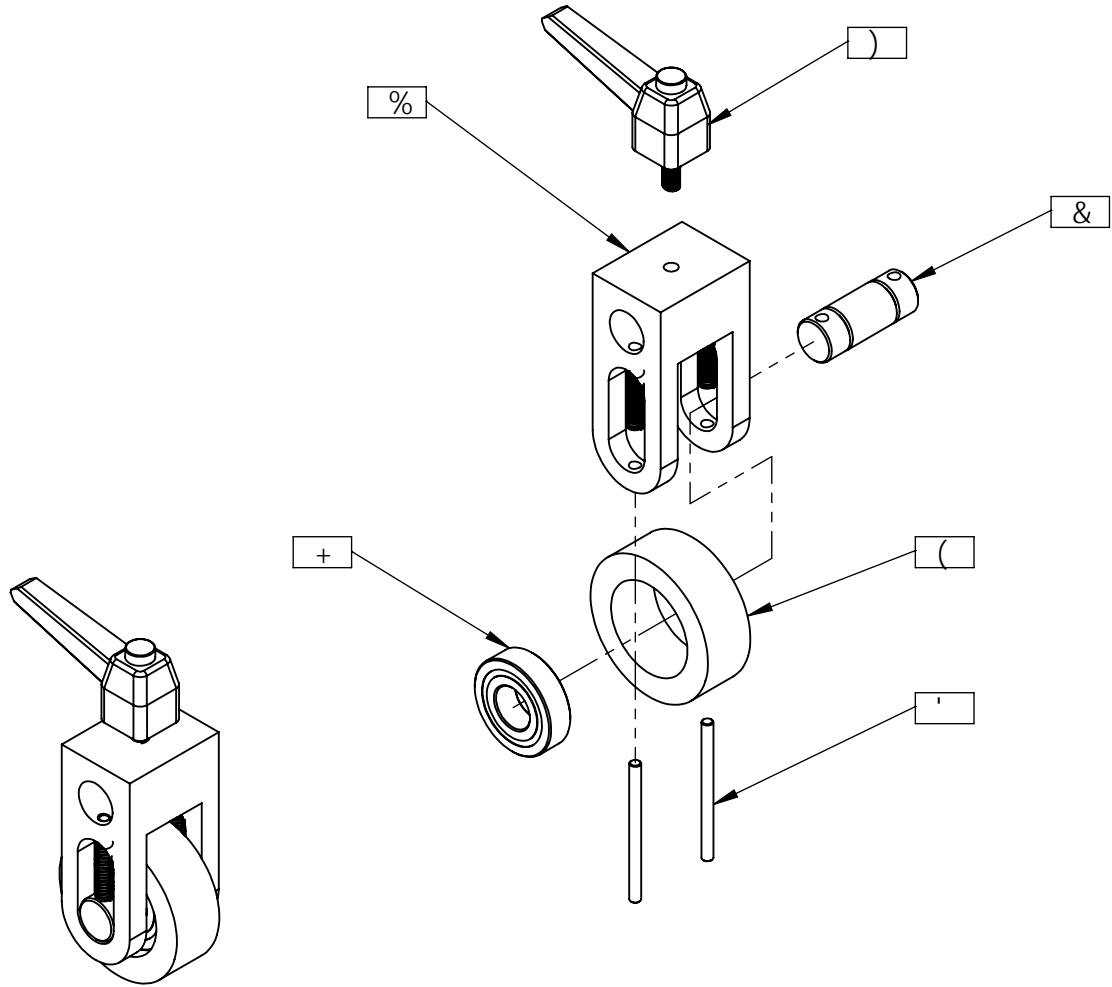
DFC DF-95FM5B8 7CB: 89B H5@

H:9 B: CFA 5HC B 7 C B H 5 B 98 B H: G8F5K B: GH:9CC @DFC D9FHMC: G D9F C F D5D9F  
 <5B8@B: GC @ HC BG 5BMF9DFC B1 7 HC B B D5FHC F 5G5 K <C @9K H:C1 H H:9 K F H9B  
 D9FA 4GC B C: G D9F C F D5D9F <5B8@B: GC @ HC BG GDFC <6498 "

*Superior*  
 PAPER HANDLING SOLUTIONS

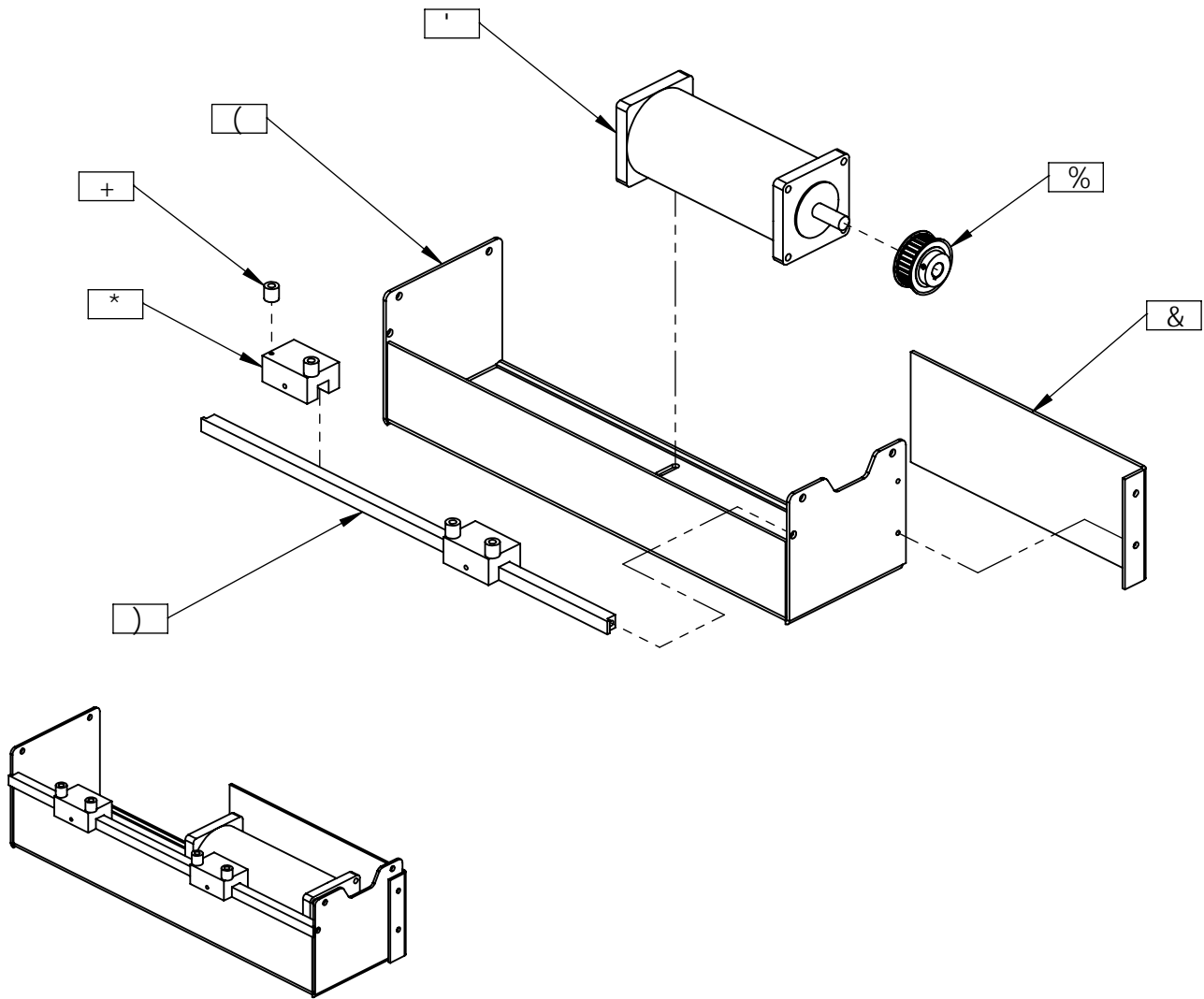
5ggYa V`mBi a VYf.  
 ) \$\$\$, &

# B-D'FC @9F '5 GG9A 6@M



#9A BC "	DUffBc	DESCRIPTION	E HM
%	%%\$( ' (	YOLK MOUNT	%
&	%%\$( ' *	AXLE SHAFT	%
'	' ) \$\$&'	DOWEL PIN	&
(	%%\$( ' )	DELRIN ROLLER	%
)	%%\$( ' +'	HANDLE	%
*	' ) \$\$&(	SPRING	&
+	%%\$%( %	BEARING	%

# A C H C F ' 5 G G 9 A 6 @ M



#P A B C "	D U f t B c	DESCRIPTION	E H M
%	' ) \$ \$ & %	TIMING PULLEY	%
&	' \$ % * \$	MOTOR GUARD	%
'	' ) \$ \$ %	MOTOR	%
(	' \$ % + * +	MOTOR PAN	%
)	' \$ % + *	BLOCK SLIDE RAIL	%
*	' \$ % + , \$	BELT GUIDE ADJUSTMENT BLOCK	&
+	' ) \$ \$ %	STANDOFF	(

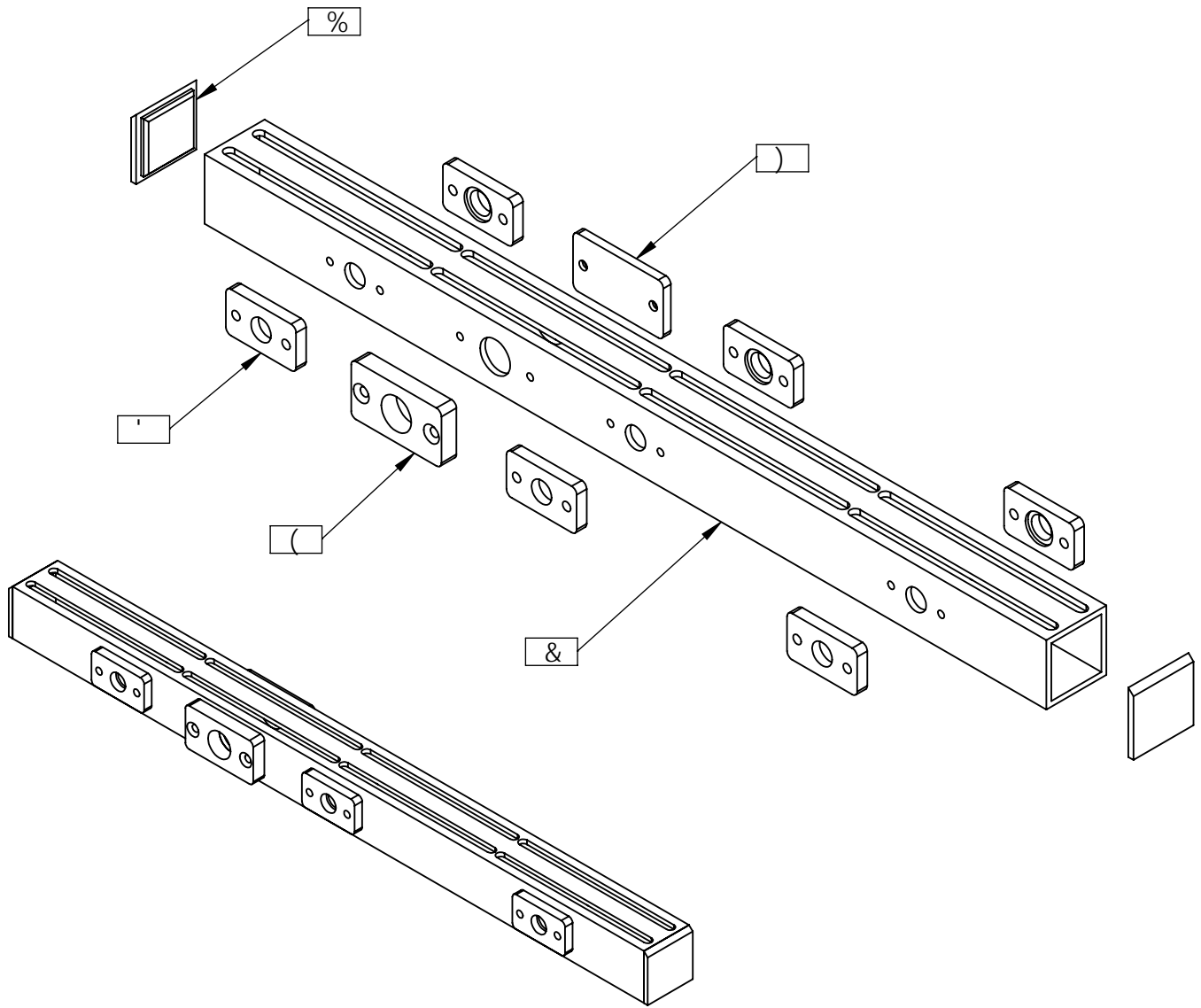
DFC DF 5 B F M 5 B 8 7 C B : 8 9 B H 5 @

H: 9 B: C F A 5 H C B 7 C B H 5 B 9 8 B H: G 8 F 5 K B: G H: 9 G C @ D F C D 9 F H M C: G D 9 F C F D 5 D 9 F  
< 5 B 8 @ B: G C @ H C B G 5 B M F 9 D F C 8 I 7 H C B B D 5 F H C F 5 G 5 K < C @ 9 K H: C I H H 9 K F H 9 B  
D 9 F A G G C B C: G D 9 F C F D 5 D 9 F < 5 B 8 @ B: G C @ H C B G G D F C < 6 + 9 8 \*

*Superior*  
PAPER HANDLING SOLUTIONS

5 g g Y a V ` m B i a V Y f.  
(\$ \$ ' \* \$

# J 5711 A 'A 5B ÷ C @ 8 '5GG9A 6@Mf&(' 1



±DA BC "	DUfBc	DESCRIPTION	E HM
%	' \$%+, *	MANIFOLD END CAP	&
&	' \$%+- %	VACUUM MANIFOLD	%
'	' \$%+, (	VACUUM SHAFT MOUNT	*
(	' \$%+, )	MANIFOLD PLATE	%
)	' \$%+ ++	VACUUM CAP	%

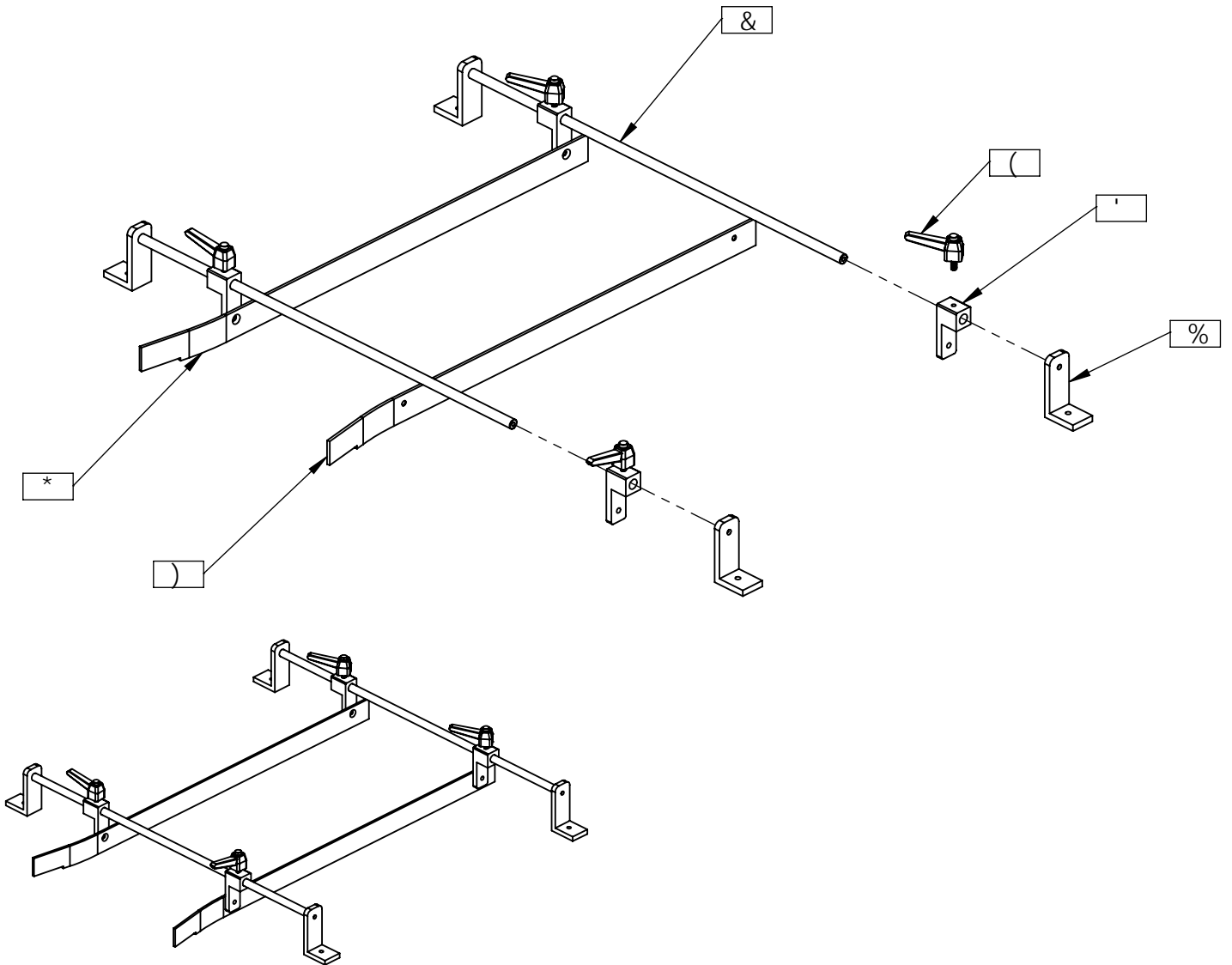
DFC DF 9 5 FM 5 B 8 7 CB: 8 9 B H 5 @

H: 9 B: CFA 5 HC B 7 C B H 5 B 9 8 B H: 6 8 F 5 K B: 'GH: 9 GC @DFC D9FHMC: 'G D9F C F D5D9F'  
<5B8@B: 'GC @ HC BG' 5 BMF 9 DFC B1 7 HC B 'B D5FHCF 5G5 K <C @9K H: C1 H H: 9 K F H 9 B'  
D9FA 4GC B C: 'G D9F C F D5D9F <5B8@B: 'GC @ HC BG GDFC <6+98"

*Superior*  
PAPER HANDLING SOLUTIONS

5 ggYa V`mBi a VYf.  
(\$\$' \*'

# G-89; 1 -89? HfR( "L



#PA BC "	DUffBc	DESCRIPTION	QTY.
%	' \$% )'	SIDE GUIDE MOUNT	4
&	' \$% ) (	SIDE GUIDE BAR	2
'	' \$% ) -	ADJUSTMENT BLOCK	4
(	%\$\$' +'	HANDLE	4
)	' \$% ) ,	SIDE GUIDE RT	1
*	' \$% ) +	SIDE GUIDE LT	1

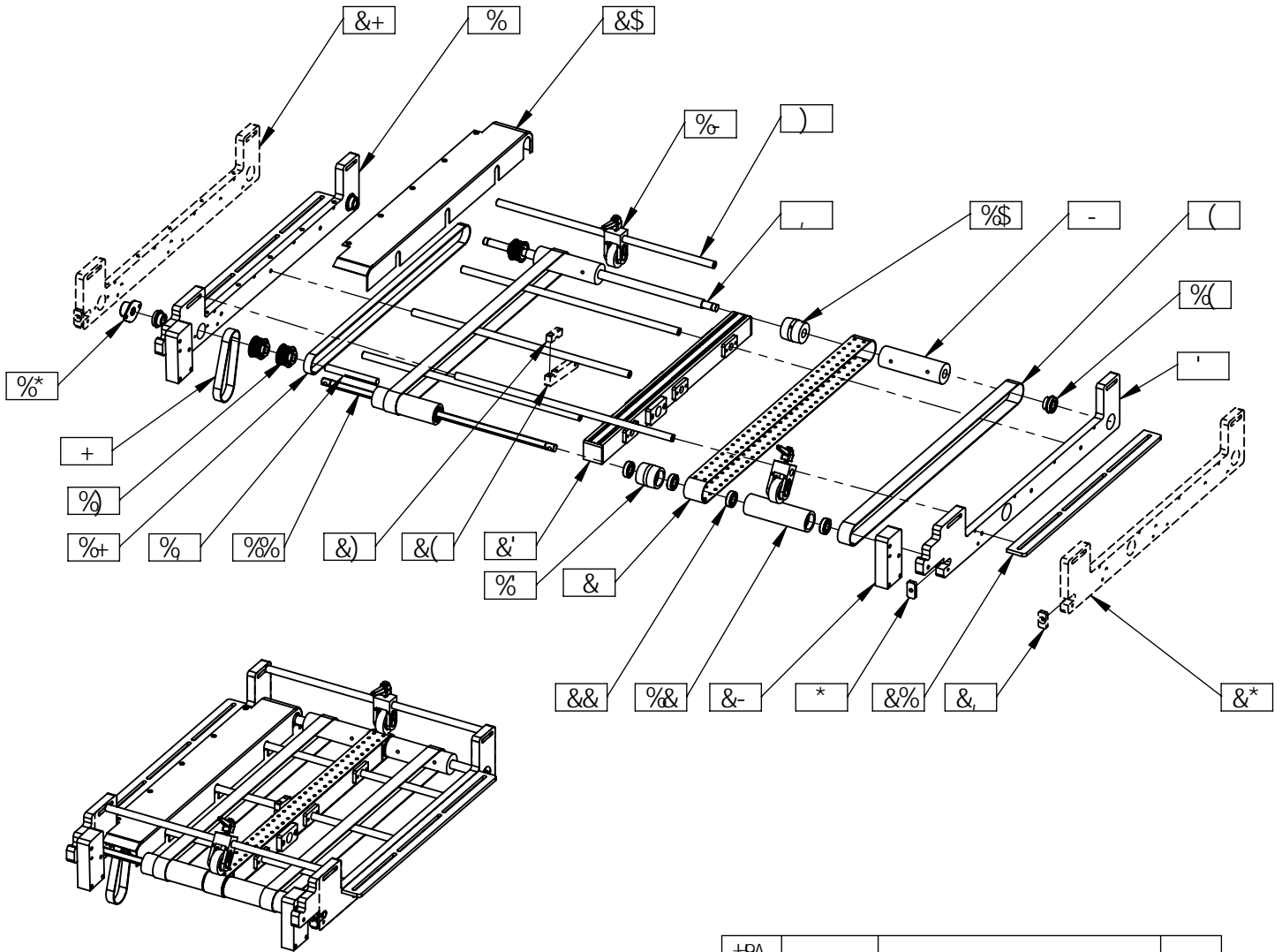
DFC DF-95FM5B8 7CB: 89BH5@

H:9 B: CFA 5HC B 7 C B H5 B 98 B H: G8F5K B: GH:9GC @DFC D9FHMC: G D9F C F D5D9F  
 <5B8@B: GC @ HC BG 5BMF9DFC B1 7 HC B B D5FHCF 5G5 K <C @9K H:C1 HH:9K F H9B  
 D9FA 4GC B C: G D9F C F D5D9F <5B8@B: GC @ HC BG GDFC <6H98"

*Superior*  
 PAPER HANDLING SOLUTIONS

5ggYa V`mBi a VYf.  
 (\$\$' \*(

# 75FF-5; 95GG9A 6@Mf&( 'L



#PA BC "	DUftBc "	DESCRIPTION	E HM
%	' \$%+, ,	LEFT VAC ARM	%
&	' \$%+- &	VACUUM BELT	%
'	' \$%+, +	RIGHT VAC ARM	%
(	' \$%+- '	TABLE BELT	&
)	' \$%+*'	SUPPORT SHAFT	)
*	' \$%+*(	ADJUSTMENT CAP	&
+	' ) \$%,	MOTOR TIMING BELT	%
,	' \$%+*'	EXTENDED DRIVE SHAFT	%
-	' \$%+, +	DRIVE ROLLER	&
%\$	' \$%+, &	CROWNED DRIVE PULLEY	%
%%	' \$%+*'	REAR IDLER SHAFT	%
%&	' \$%+ +-	IDLER ROLLER	&
%	' \$%+, %	CROWNED IDLER PULLEY	%
%{(	' \$%&* -	BEARING	'

#PA BC "	DUftBc "	DESCRIPTION	E HM
%	' ) \$\$' '	TIMING PULLEY	'
%*	' \$%+* -	BEARING	%
%+	' ) \$% -	BELT	%
%	' \$%+ +'	DRIVE SHAFT	%
%-	( \$\$& &	NIP ROLLER ASSEMBLY	&
&\$	' \$%+- \$	BELT GUARD	%
&%	' \$%+, -	MOUNT WINGS	&
&&	%\$\$\$( %	BEARING	*
&'	( \$\$' *'	VACUUM MANIFOLD ASSEMBLY (24")	%
&{(	' \$% + +	IG ENCODER LOWER BRACKET (OPTION)	%
&)	' \$% + ,	IG ENCODER UPPER BRACKET (OPTION)	%
&*	' \$% - &	RIGHT VAC ARM (OPTION)	%
&+	' \$% - '	LEFT VAC ARM (OPTION)	%
&	' \$% - (	ADJUSTMENT CAP STAND (OPTION)	&
&-	' \$%+- +	FEEDER MOUNT	&

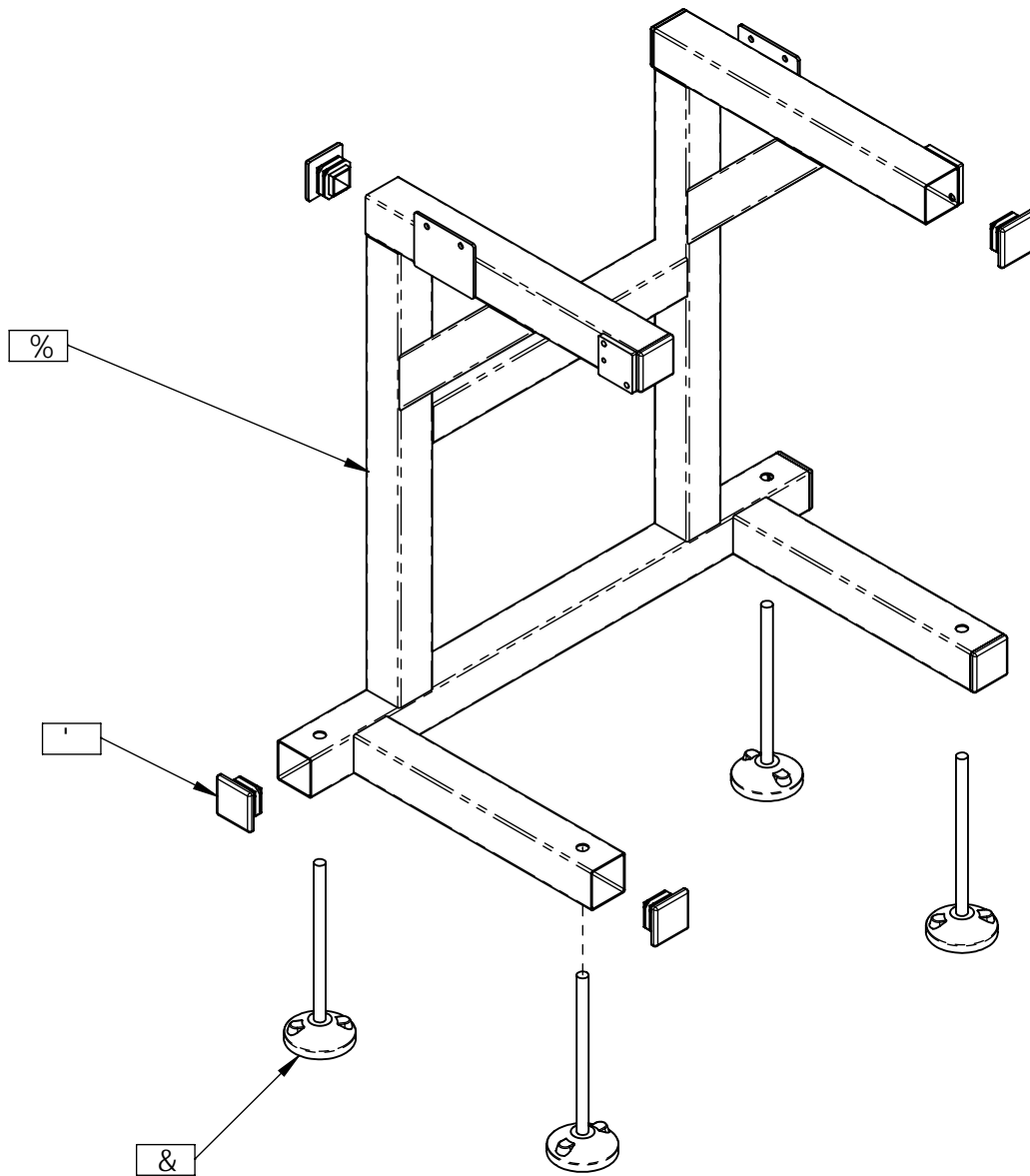
DFC DF-5BM5B8 7CB: 89BH5@

H:9 B: CFA 5HC B7 C B15 B98 B H: G8F5K B: 4GH 9CC @DFC D9FHMC: G D9F C F D5D9F <5B8 @B: GC @ HC BG 5BMF9DFC B1 7 HC B B D5FHC F 5G5 K <C @K H:C1 H1K9K F H9B D9FA 4GC B C: G D9F C F D5D9F <5B8 @B: GC @ HC BG GDFC <6498 "

*Superior*  
PAPER HANDLING SOLUTIONS

5ggYa V`mBi a VYf.  
(\$\$ \* )

# GH5B8'5GG9A 6@Mf&( 'L fC DHC BL



#DA BC "	DUftBc	DESCRIPTION	E HM
%	( \$(% )	STAND WELDMENT (OPTION)	%
&	%%\$%) %	PEDESTAL FOOT (OPTION)	(
'	' \$%&, )	END CAP (OPTION)	,

DFC DF-95FM5B8 7CB: 89BH5@

H:9 B: CFA 5HC B'7 C BH5 B98 'B H: G8F5K 'B: 'GH:9CC @DFC D9FHMC: 'G D9F C F D5D9F'  
<5B8@B: 'GC @ HC BG' 5BMF9DFC B1 7 HC B' B D5FHCF 5G5 K <C @9K H:C1 HH:9K F H9B'  
D9FA 4GC B'C: 'G D9F C F D5D9F <5B8@B: 'GC @ HC BG GDFC <6+98"

*Superior*  
PAPER HANDLING SOLUTIONS

5ggYa V`mBi a VYf.  
(\$\$(%