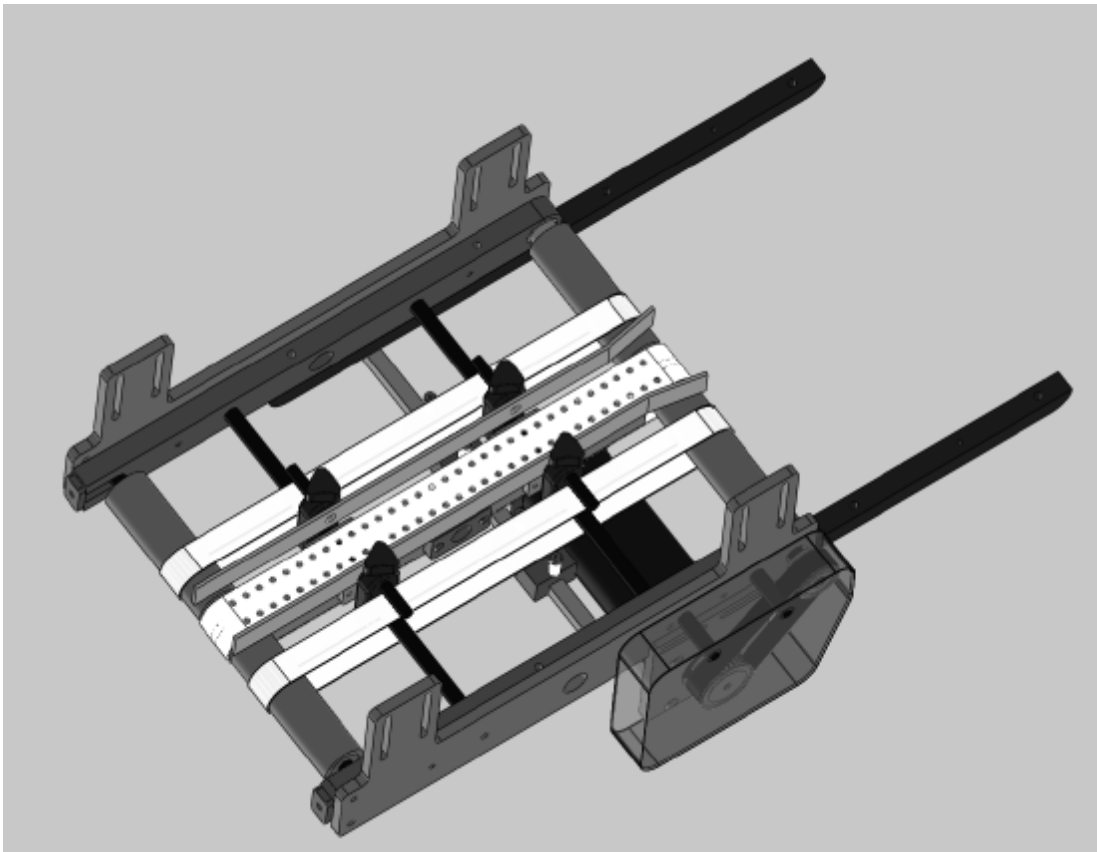


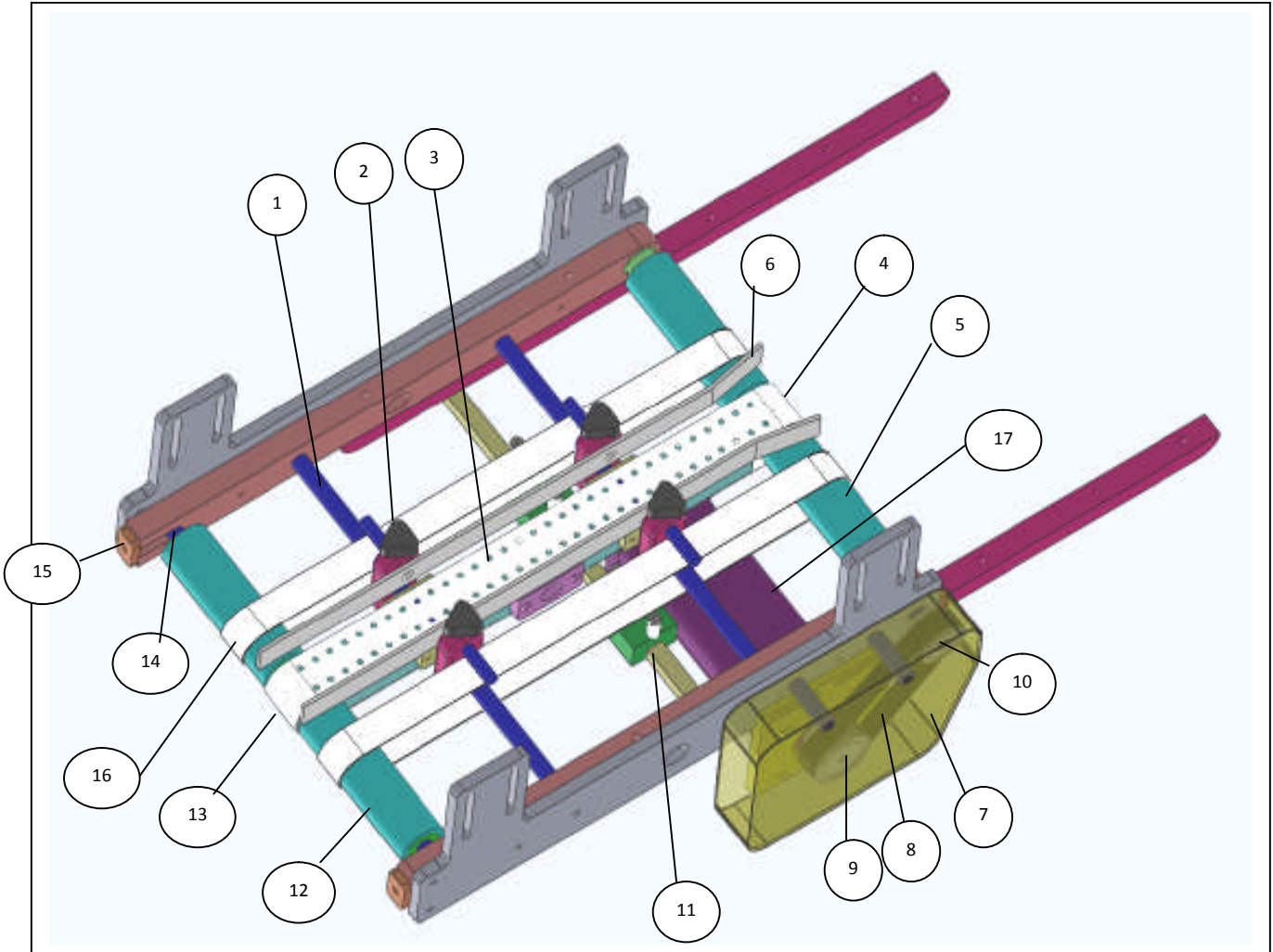


PARTS GUIDE
XM-SERIES VACUUM DISCHARGE EXTENSION
(April 2010)





VACUUM DISCHARGE EXTENSION ASSEMBLY





Item	Qty	Description	Part Number
1	2	Idler Shaft	100139
2	4	Lobed Knob, 10/32 x ½	100391
	4	Adjust Shaft, Side Guide	100642
	4	Side Guide Mount Block	100650
3	1	Vacuum Manifold	100636
	1	Center Vacuum Belt	100659
	1	Threaded Manifold Plate	100654
	4	Manifold Mount Plate	100655
	1	Blank Manifold Plate	100656
4	1	Crowned Drive Pulley 1.5"	100637
5	2	Drive Pulley Long, 5"	100640
	1	Main Drive Shaft	100651
	2	R8 Bearing	100141
6	2	Side Guide	100641
7	1	Guard. Drive Belt	100643
8	1	375-5M-15 Drive Belt	100657
9	1	30 Tooth 5M-15 Pulley	100658
10	1	22 Tooth 5M-15 Pulley	100622A
11	1	Belt Guide Mount Bar	100647
	2	Belt Guide Block	103009A
	4	Spacer, Belt Guide	103020
	2	Lobed Knob, 10/32 x ¾	100392
12	2	Idler Pulley Long, 5"	100639
	4	R8 Bearing	100141
13	1	Crowned Idler Pulley 1.5"	100638
	2	R8 Bearing	100141
14	1	Idler Tension Shaft	100652
15	2	Tension Plate	100653
16	2	Outer Transport Belt	100660
17	1	DC Motor	100571
NS	1	Motor Controller	100589
NS		Spring Loaded Nip Wheel Assembly	100437
NS		Deflector Plate	100566

NS = Not Shown



Limited Warranty

Superior Paper Handling Solutions (Superior) warrants this product to be free from defects in materials and workmanship, when used under recommended operating conditions for a period of one year from the date of original retail purchase.

If a defect is discovered during the warranty period, Superior (or authorized agent) will make the repairs at no charge. If the defect is not field repairable, the entire unit should be returned to Superior who will, at its sole option, repair or replace the product at no charge, other than shipping expenses to and from the Superior facility in Minneapolis, Minnesota, USA. All returns require prior approval by an authorized Superior employee and must have a Return Goods Authorization number.

This warranty applies only to products manufactured by Superior. The warranty is void if the product has been damaged by accident, abuse, misuse, neglect, improper maintenance, misapplication, or as a result of being attached to equipment not supplied by Superior; if the unit has been modified without the written permission of Superior; or if the units serial number has been removed or defaced. This warranty does not apply to the failure of any rubber based or consumable components including, but not limited to, "o" rings, belts, rollers, fuses, or lamps.

Superior is not responsible for special, incidental, or consequential damages resulting from any breach of warranty or under any other legal theory, including lost profits, downtime, goodwill, or damage to or replacement of equipment or property.

This warranty and the remedies set forth above are exclusive and are in lieu of all others, oral or written, expressed or implied. There are no warranties that extend beyond the description on the face hereof. No Superior employee or authorized agent is authorized to make any modification, extension, or addition to this warranty.